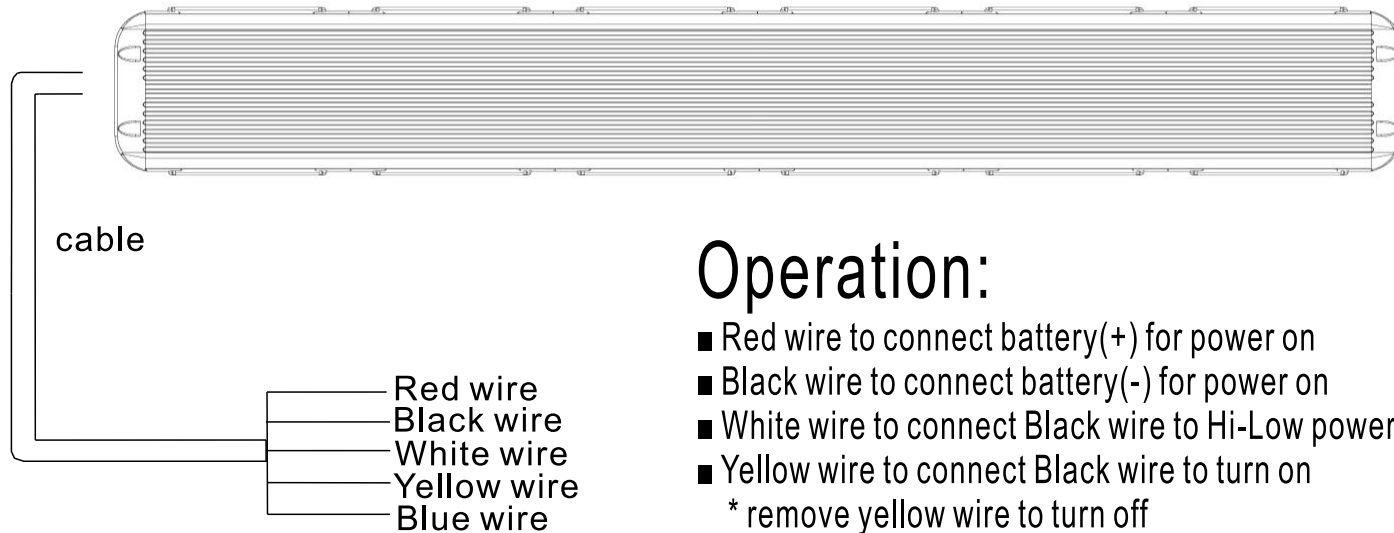


14 modules LED NANO Light bar



Operation:

- Red wire to connect battery(+) for power on
- Black wire to connect battery(-) for power on
- White wire to connect Black wire to Hi-Low power
- Yellow wire to connect Black wire to turn on
 - * remove yellow wire to turn off
- Blue wire to touch Black wire to change pattern
 - * less than 1 second for next pattern
 - * about 1-3 seconds for previous pattern
 - * more than 5 seconds to steady pattern

»Recommendation: add in a 20Amps fuse between the red wire and battery(+)

Specifications :

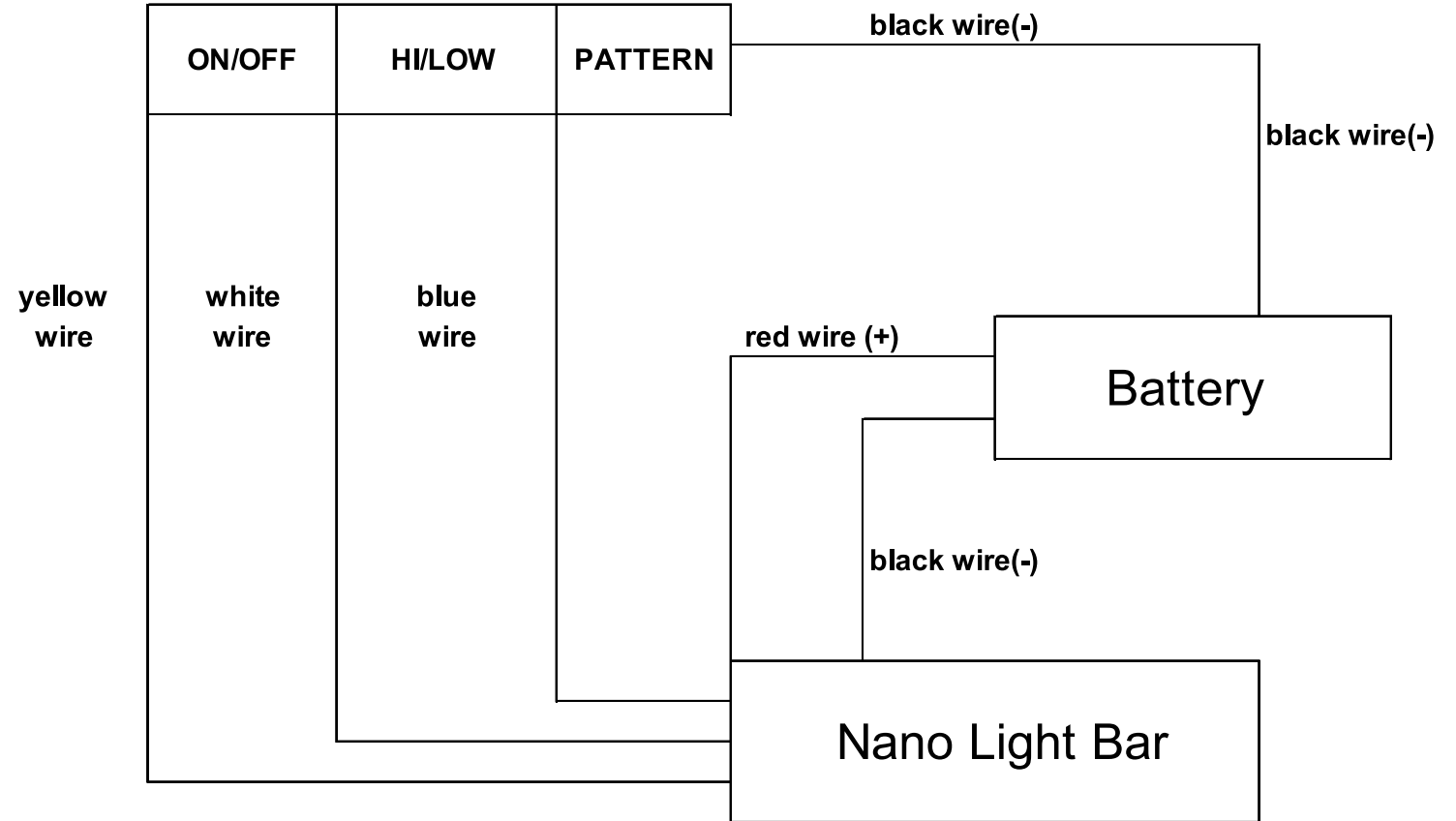
Size:	755.8mm(L) x 106.8mm(D) x 43.8mm(H)	Weight:	Approx. 4kgs
Input Voltage:	12/24 VDC	Housing:	Anodised Aluminum
Max.Current Draw:	8A/12V	Lens/Clip:	PC/ABS
Flash Patterns:	32	Cable Length:	3.5M

Safety: Important information is contained herein that could prevent serious injury or damage.

- * Do NOT stare directly into the high intensity LEDs. Momentary blindness and/or eye damage could result.
- * Do NOT install this product or route harness in the vicinity of any original vehicles safety equipment/air bags, doing so may cause a serious injury in the event of air bag deployed. Please refer to your vehicle owner manual for the air bag location. The installer must take full responsibility to determine mounting location in order to prevent any potential dangers.
- * If mounting this product requires drilling holes, the installer must be sure that no vehicle components or other vital parts could be damaged by the drilling process. Install grommets into all wire passage holes. Do not try to activate or control this product in a hazardous driving situation.
- * In order to operate this product effectively, a good electrical connection to chassis ground must be made.
- * Inspect and operate this product regularly to ensure proper operation and mounting condition.
Do not use a pressure washer to clean this product.

Connection Diagram

Switch Panel



- Switches: 2 On/Off, 1 momentary pattern control
- Red wire to connect battery(+) for power on
- Black wire of switch and Lightbars together to connect battery(-) for power on
- White wire to connect White wire from lightbars to Hi-Low power
- Yellow wire to connect Yellow wire from lightbars to to turn on
- Blue wire to connect Blue wire from lightbars to change pattern
- Dimensions: 7.5 x 4CM
- Powered by 12V-24V